

(12) **United States Patent**  
Huber

(10) **Patent No.:** US 11,060,278 B2  
(45) **Date of Patent:** Jul. 13, 2021

(54) **PRECURSORS FOR IMPALING CLIPS AND IMPALING CLIPS FORMED THEREFROM FOR MOUNTING ACOUSTIC PANELS ONTO STRUCTURAL COMPONENTS**

(71) Applicant: **Kenneth Huber**, Seattle, WA (US)

(72) Inventor: **Kenneth Huber**, Seattle, WA (US)

(\*) Notice: Subject to any disclaimer, the term of this patent is extended or adjusted under 35 U.S.C. 154(b) by 0 days.

(21) Appl. No.: **16/682,022**

(22) Filed: **Nov. 13, 2019**

(65) **Prior Publication Data**  
US 2020/0256052 A1 Aug. 13, 2020

**Related U.S. Application Data**  
(60) Provisional application No. 62/802,365, filed on Feb. 7, 2019.

(51) **Int. Cl.**  
*E04B 1/86* (2006.01)  
*E04B 1/82* (2006.01)

(52) **U.S. Cl.**  
CPC ..... *E04B 1/86* (2013.01); *E04B 2001/8263* (2013.01)

(58) **Field of Classification Search**  
CPC ... *E04B 1/7666*; *E04B 1/86*; *E04B 2001/8263*  
See application file for complete search history.

(56) **References Cited**

U.S. PATENT DOCUMENTS

800,655 A *	10/1905	Kitsee .....	E04F 13/0803 52/386
1,712,493 A *	5/1929	Elmendorf .....	B65D 9/20 52/797.1
1,782,695 A *	11/1930	Prez .....	A47C 31/026 52/511
1,810,597 A *	6/1931	Corwin .....	E04B 2/789 52/489.2
1,915,611 A *	6/1933	Miller .....	E04C 2/18 52/794.1
1,935,536 A *	11/1933	Balduf .....	E04B 2/56 52/346
1,935,574 A *	11/1933	Munroe .....	E04B 1/82 52/346
1,995,173 A *	3/1935	Ehle .....	E04F 13/0835 411/459
2,256,961 A *	9/1941	Pearson .....	B61D 27/0081 52/407.4
2,282,631 A *	5/1942	Winship .....	E04B 2/58 411/516

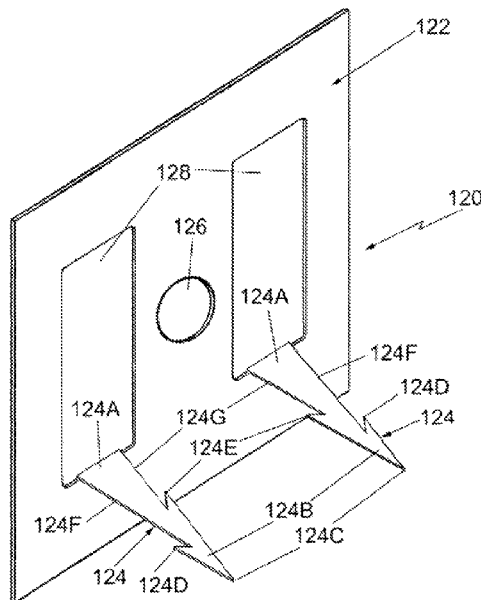
(Continued)

*Primary Examiner* — James M Ference  
(74) *Attorney, Agent, or Firm* — Caesar Rivise, PC

(57) **ABSTRACT**

A precursor to form an impaling clip, and an impaling clip formed therefrom. The impaling clip is configured for mounting an acoustic panel on a structural component, e.g., a wall stud, of a building. The impaling clip includes a base member from which a pair of prongs project upward perpendicular to the plane of the base member. The base member includes at least one hole for receipt of a fastener, e.g., a screw, to fixedly secure the base member of the clip to the structural component. Each prong includes a leg portion terminating in pointed head and outwardly projecting under-cut barbs configured to pierce through the back surface of the panel to lock the prong within the panel so that it is resistant to removal.

**10 Claims, 5 Drawing Sheets**



(56)

References Cited

U.S. PATENT DOCUMENTS

2,284,301	A *	5/1942	Rieser	.....	F25D 23/085	4,512,130	A *	4/1985	Pepin	.....	E04B 1/7666
					52/716.6						411/466
2,325,766	A *	8/1943	Gisoni	.....	E04F 13/0823	4,566,241	A *	1/1986	Schneller	.....	E04B 2/7457
					52/489.2						52/363
2,396,030	A *	3/1946	Terry	.....	F16L 9/003	4,653,241	A *	3/1987	Bindi	.....	E02D 31/02
					285/405						52/169.11
2,580,231	A *	12/1951	Lamm	.....	F16L 3/12	4,704,835	A *	11/1987	Jordan	.....	E04B 2/7457
					248/67.7						52/489.1
3,011,226	A *	12/1961	Menge	.....	F16B 15/0046	4,736,917	A *	4/1988	Thuresson	.....	E04B 1/76
					411/466						156/71
3,016,586	A *	1/1962	Atkins	.....	F16B 15/0046	4,761,928	A *	8/1988	Pichette	.....	E04B 1/7666
					411/466						52/404.2
3,196,499	A *	7/1965	Houvener	.....	E04B 1/6116	5,060,434	A *	10/1991	Allison	.....	E04B 2/7411
					52/794.1						52/238.1
3,222,831	A *	12/1965	Pritchard	.....	E04F 13/0864	5,060,441	A *	10/1991	Pichette	.....	E04B 2/762
					52/99						52/404.2
4,128,979	A *	12/1978	Price	.....	E04B 2/58	5,216,859	A *	6/1993	Moreno	.....	E04B 2/7411
					52/241						52/238.1
4,235,148	A *	11/1980	Menge	.....	F16B 15/0046	5,299,403	A *	4/1994	Fentz	.....	E04B 1/7629
					411/466						52/379
4,292,777	A *	10/1981	Story	.....	E04D 13/172	5,531,052	A *	7/1996	Agar	.....	E04B 2/7453
					52/407.1						52/489.2
4,389,190	A *	6/1983	Sevink	.....	F27D 1/14	6,171,043	B1 *	1/2001	Williams	.....	F16B 15/0046
					110/332						403/283
4,394,808	A *	7/1983	Thorsell	.....	E04B 2/7409	6,367,216	B1 *	4/2002	Mayion	.....	E04B 2/7457
					52/489.2						411/457
4,458,387	A *	7/1984	Pearson	.....	A47C 31/02	9,163,411	B2 *	10/2015	Brady	.....	E04F 13/045
					24/101 B	10,370,846	B1 *	8/2019	Neuwirt	.....	E04B 1/7666
4,471,592	A *	9/1984	MacKinnon, Jr.	.....	E04B 1/7608	2008/0245010	A1 *	10/2008	Pollack	.....	E04B 1/7662
					52/361						52/404.3
4,480,416	A *	11/1984	Judkins	.....	E04F 13/0803	2009/0126302	A1 *	5/2009	Thomas	.....	E04B 5/12
					52/309.7						52/407.3
						2010/0276559	A1 *	11/2010	Sillick	.....	E04B 1/7666
											248/342
						2020/0256052	A1 *	8/2020	Huber	.....	E04B 1/7666

\* cited by examiner

Fig. 1

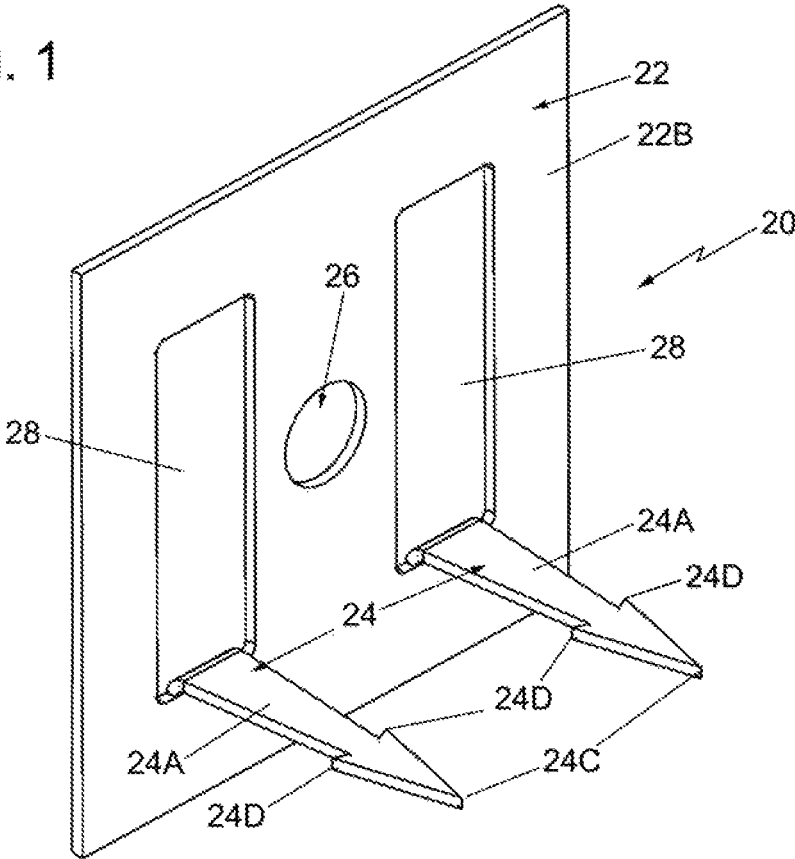


Fig. 2

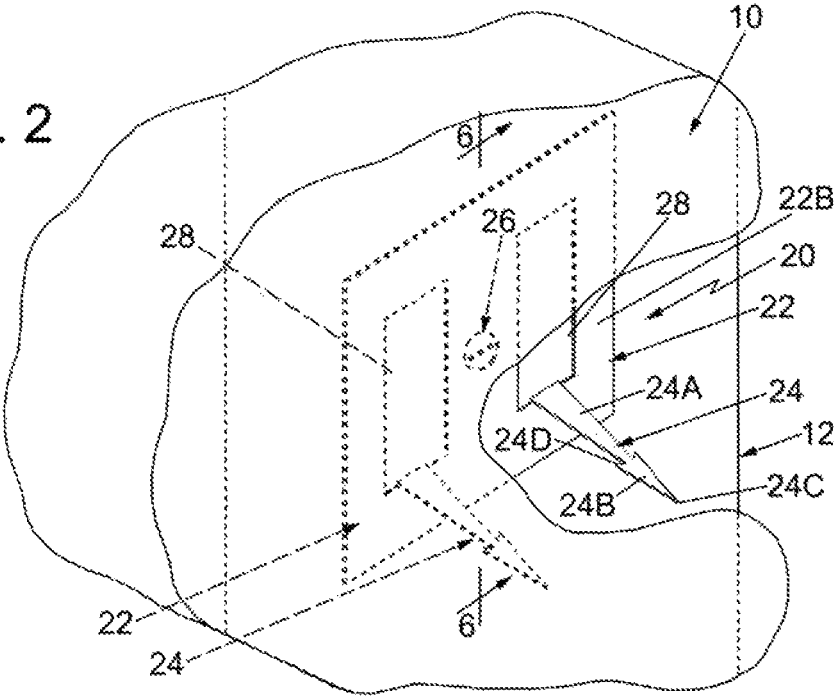


Fig. 3

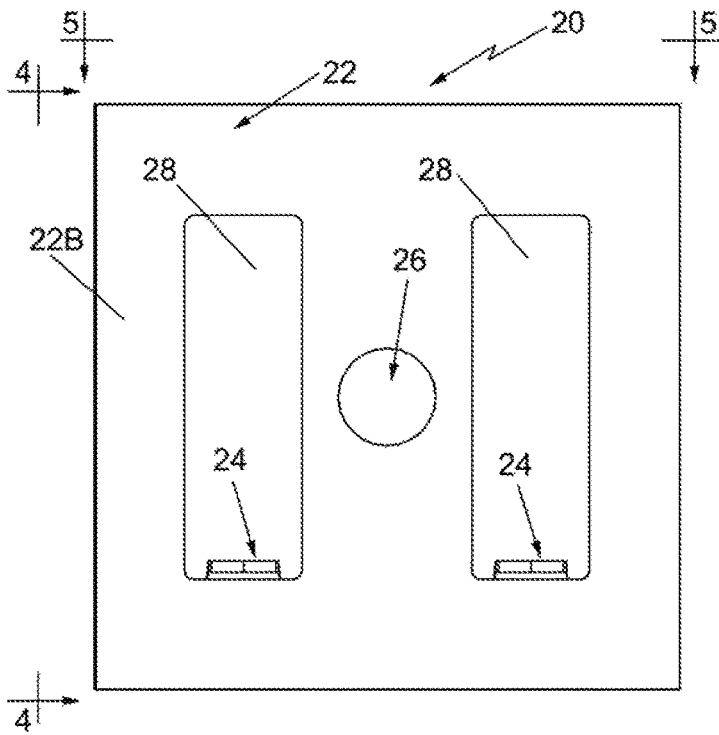


Fig. 4

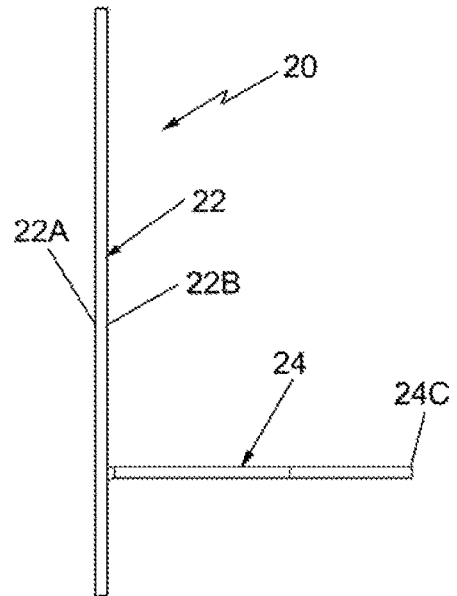


Fig. 5

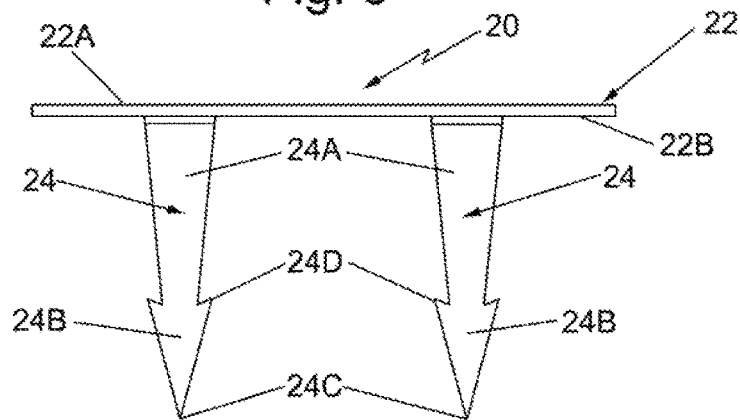
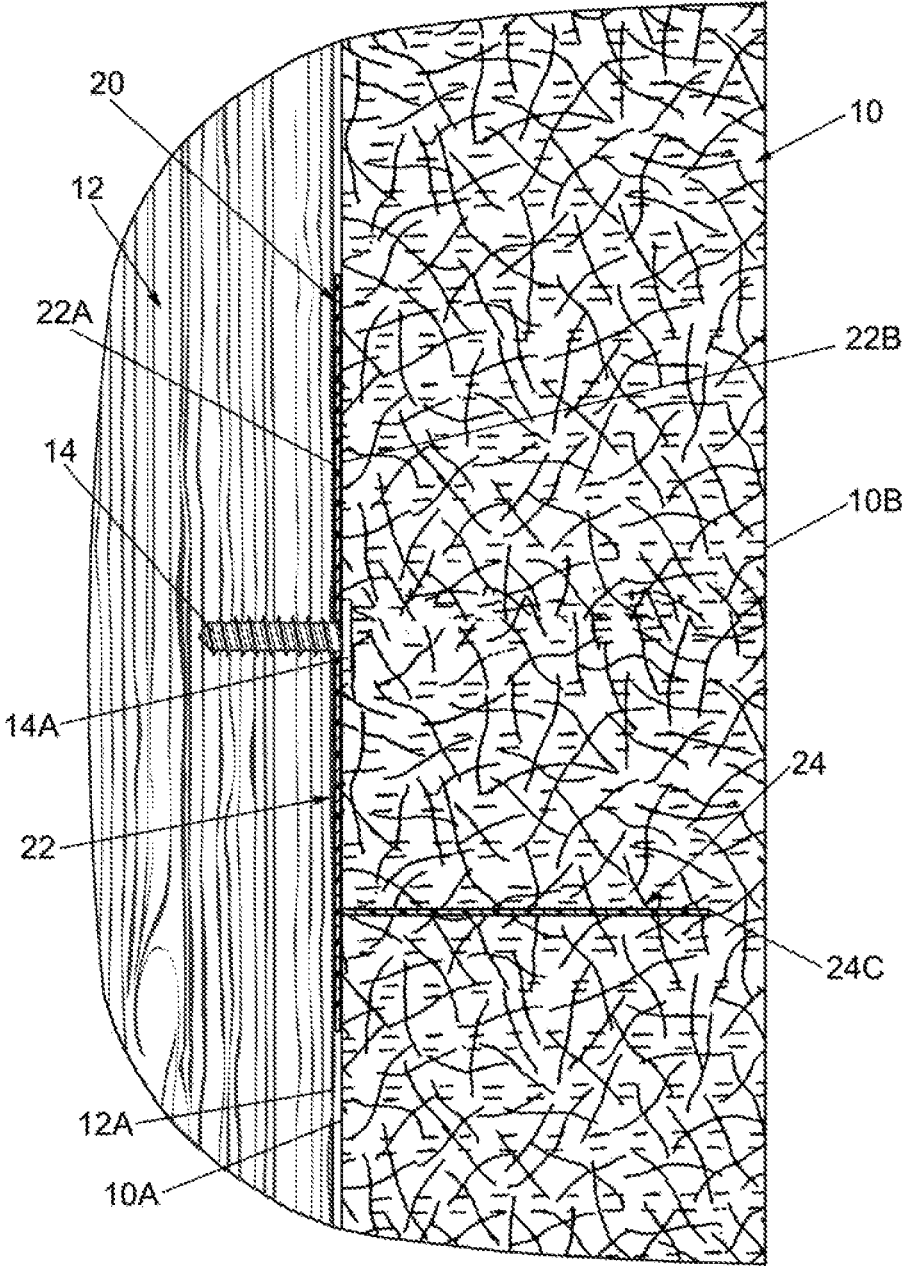


Fig. 6



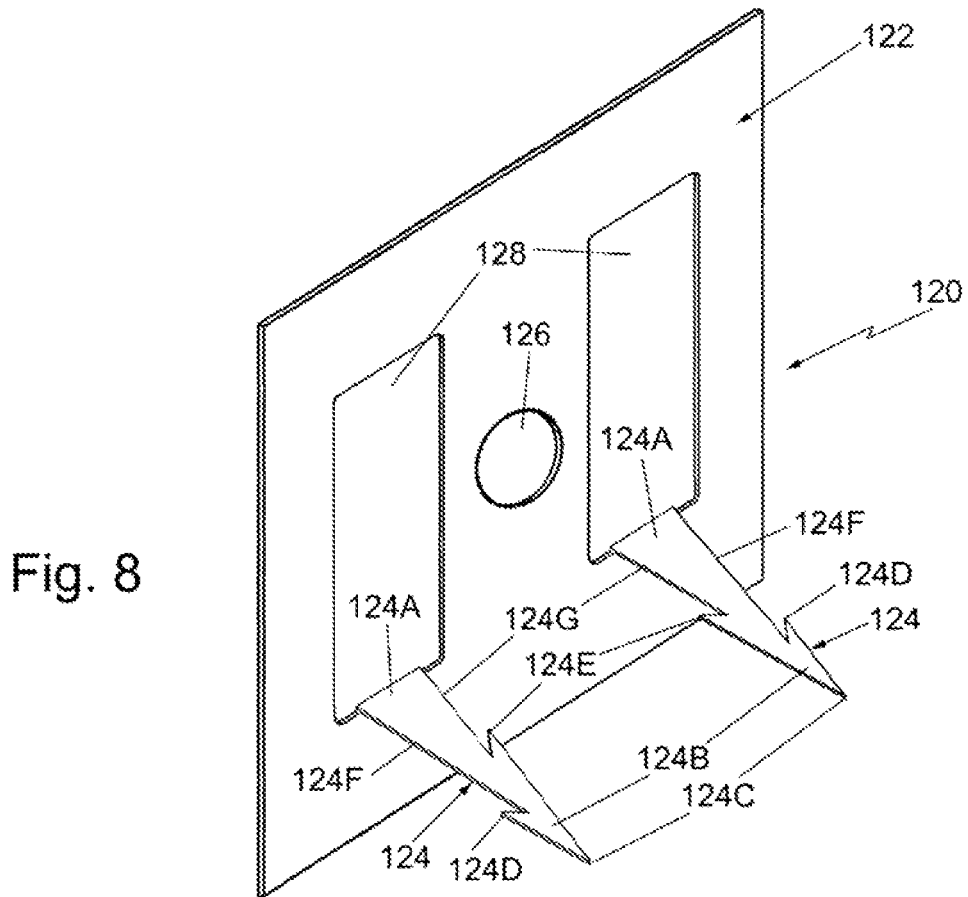
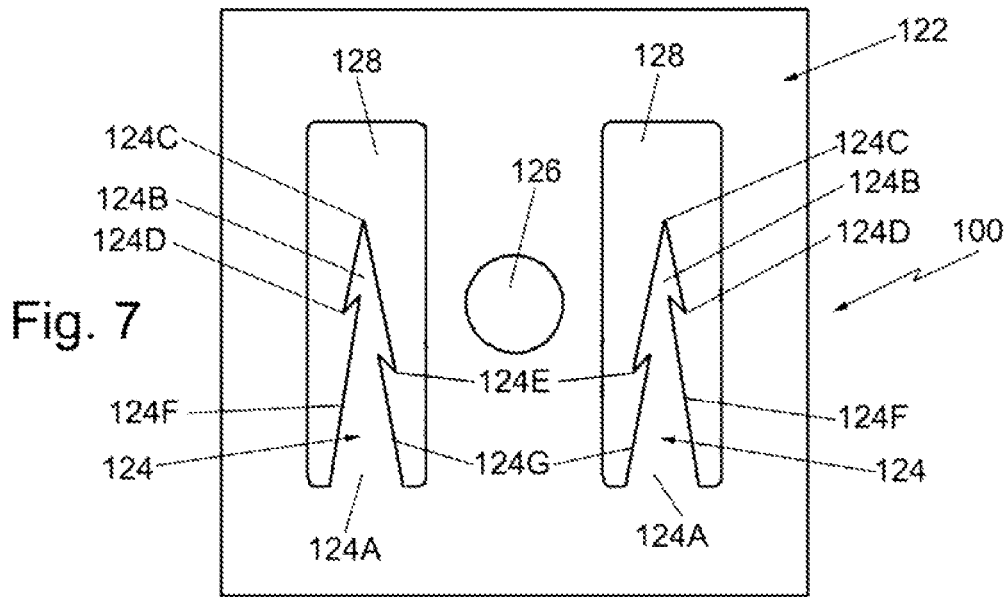


Fig. 9

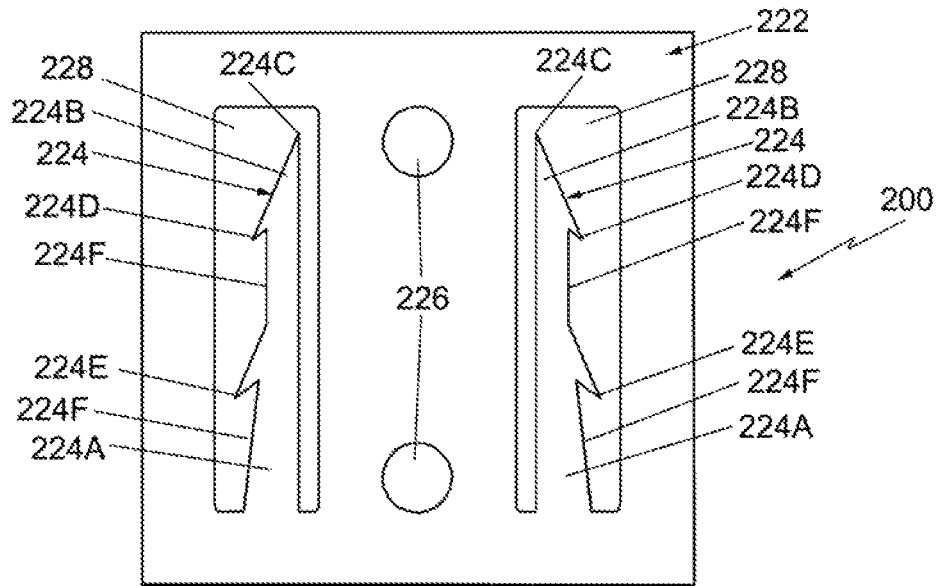
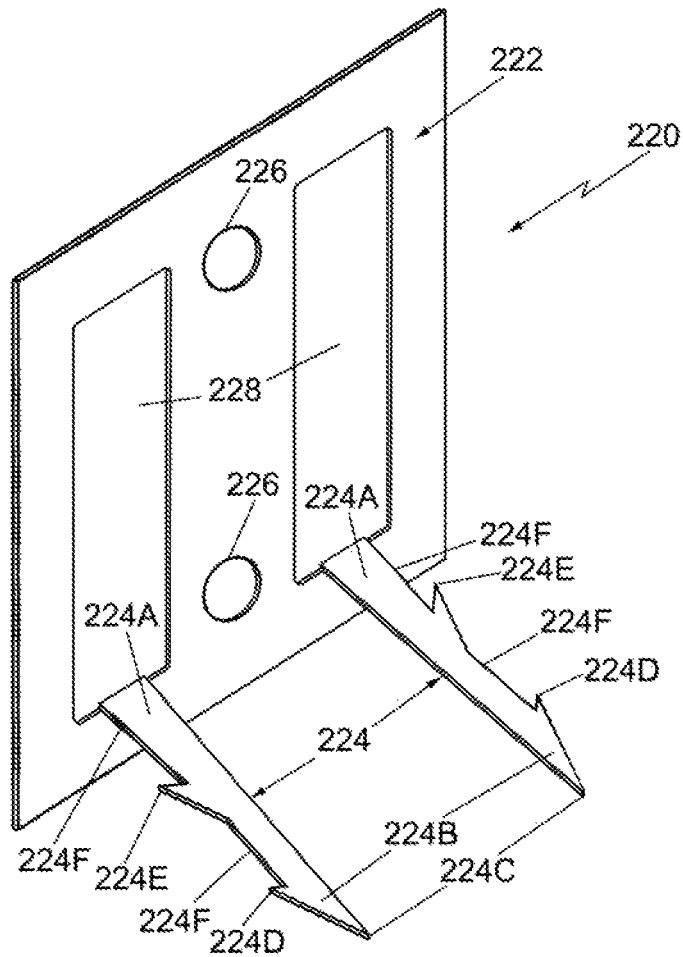


Fig. 10



**PRECURSORS FOR IMPALING CLIPS AND  
IMPALING CLIPS FORMED THEREFROM  
FOR MOUNTING ACOUSTIC PANELS ONTO  
STRUCTURAL COMPONENTS**

CROSS-REFERENCE TO RELATED  
APPLICATIONS

This utility application claims the benefit under 35 U.S.C. § 119(e) of Provisional Application Ser. No. 62/802,365 filed on Feb. 7, 2019 entitled Impaling Clips For Mounting Acoustic Panels Onto Structural Components, the entire disclosure of which is specifically incorporated by reference herein.

FIELD OF THE INVENTION

This invention relates generally to mounting clips for structural panels of a building and more particularly to precursors for forming impaling clips and impaling clips formed therefrom for mounting acoustic panels on to structural components of a building.

Specification

BACKGROUND OF THE INVENTION

The patent literature includes various patents directed to clips for mounting wall panels onto portions, e.g., studs, joist, walls, etc. of a building. Such clips include typically include one or more points, tangs, spikes, prongs or other piecing members which are designed to pierce the rear surface of the wall panel to suspend the panel on the structure to which the clip is secured. Examples of such clips are found in the following U.S. Pat. No. 1,935,536 (Balduf); U.S. Pat. No. 2,282,631 (Winship); U.S. Pat. No. 3,222,831 (Pritchard); U.S. Pat. No. 4,128,979 (Price et al.); U.S. Pat. No. 4,394,808 (Thorsell); U.S. Pat. No. 4,566,241 (Schneller); U.S. Pat. No. 5,060,434 (Allison); and U.S. Pat. No. 5,531,052 (Agar).

The mounting of acoustic or sound-absorbing panels in buildings is commonly accomplished by the use of so-called "impaling clips". Such clips typically include plural points, tangs, spikes or prongs that are configured pierce or stick into the rear surface of the acoustic panel to hold the panel in place on the support structure of the building. That support structure may constitute a stud, joist, beam or a wall or ceiling panel itself. In any case, the clip is typically secured to the support structure by means of any suitable type of fastener, e.g., nail, screw, adhesive, etc., depending upon the support structure to which the clip is to be mount to suspend the acoustic panel thereon.

Such impaling clips are commercially available from various sources. For example ATS Acoustics sells "acoustical insulation impaling clips" to install fiberglass or mineral wool boards to a wall. Each clip measures  $2\frac{1}{8}'' \times 1\frac{1}{2}''$  and has eight spikes to impale the back of a panel to hold it in place. The impaling spikes on the clip are about  $\frac{3}{4}''$  deep. A construction adhesive is recommended to ensure a secure panel installation when using such impaling clips.

Acoustic panels which are constructed of fiberglass or other similar materials can be readily effectively mounted on the impaling clips of the prior art. However where the acoustic panels are formed of polyester materials, like those available from www.polysorb.com under the trademark PolySorb, prior art impaling clips have been found wanting insofar as the polyester material renders the panels more

likely to become disengaged from the piercing points of the impaling clips than fiberglass acoustic panels. Moreover, the material of such polyester acoustic panels renders them somewhat difficult, if not impossible, to impale. Accordingly, the mounting of polyester panels onto structural components of buildings using prior art impaling clips may necessitate the use of adhesives in addition to the clips or alternative methods without clips to ensure that the acoustic panels remain in place.

Thus, a need exists for impaling clips for polyester acoustic panels which makes use of piercing members which are constructed to easily impale a polyester or PET acoustic panel, while being resistant to displacement once that they have pierced into the acoustic panel, such that the use of additional securement means, e.g., adhesives is unnecessary. The subject invention addresses that need.

BRIEF SUMMARY OF THE INVENTION

One aspect of this invention is a clip for mounting a panel on a support structure. The panel is formed of a material having a rear surface and a front surface. The clip comprises a base, at least one opening and at least one prong. The base includes an undersurface configured to be disposed on an outer surface of the support structure. The at least one opening is configured for receipt of a fastening member to fixedly secure the base on the support structure with the undersurface in engagement with the outer surface of the support structure. The at least one prong projects outward perpendicularly from the base at a bottom of the at least one opening. The at least one prong comprises a leg portion, a sharp head portion having a free end in the form of sharp main point, and at least one subsidiary point. The at least one subsidiary point is in the form of an undercut barb having an edge extending at an acute angle with respect to a side edge of the leg portion. The sharp main point is configured for penetration of the rear surface of the panel, whereupon the sharp head portion, the at least one subsidiary point and at least a portion of the leg portion enters and is fixedly held within the material of the panel between the rear surface and the front surface thereof, with the at least one subsidiary point resisting extraction of the prong from within the material of the panel.

In accordance with one preferred aspect of the clip of this invention, the prong comprises first and second subsidiary points, each of the subsidiary points being in the form of an undercut barb having an edge extending at an acute angle with respect to a side edge of the leg portion.

In accordance with another preferred aspect of the clip of this invention, the leg portion includes a first side edge and a second side edge, and wherein the first subsidiary point is located adjacent the first side edge and the second subsidiary point is located adjacent the second side edge.

In accordance with another preferred aspect of the clip of this invention, the first and second subsidiary points are longitudinally offset from each other along an axis extending a length of the prong.

In accordance with another preferred aspect of the clip of this invention, the leg portion includes a first side edge, and wherein the first and second subsidiary points are located adjacent the first side edge and are longitudinally offset from each other along an axis extending a length of the prong.

In accordance with another preferred aspect of the clip of this invention, the at least one prong comprises two prongs and wherein the at least one opening comprises two openings, with each of the two prongs being located in respective ones of the at least two openings.



In accordance with another preferred aspect of the clip of this invention, the clip is formed a metal.

Another aspect of this invention is a precursor for a clip for mounting a panel on a support structure. The panel is formed of a material having a rear surface and a front surface. The precursor comprises a generally planar sheet, an opening or hole extending through the sheet and a planar prong portion. The generally planar sheet lies in a plane and has at least one window therein. The opening or hole extends through the sheet and is configured for receipt of a fastener therethrough. The planar prong portion is located within the window and within the plane. The planar prong portion comprises a leg portion, a sharp head portion having a free end in the form of sharp main point, and at least one subsidiary point. The at least one subsidiary point is in the form of an undercut barb having an edge extending at an acute angle with respect to a side edge of the leg portion. The planar prong is configured to be bent out of the plane to an orientation perpendicular to the plane.

In accordance with one preferred aspect of the precursor of this invention, the planar prong portion comprises first and second subsidiary points, each of the subsidiary points being in the form of an undercut barb having an edge extending at an acute angle with respect to a side edge of the leg portion.

In accordance with another preferred aspect of the precursor of this invention, the leg portion includes a first side edge and a second side edge, and wherein the first subsidiary point is located adjacent the first side edge and the second subsidiary point is located adjacent the second side edge.

In accordance with another preferred aspect of the precursor of this invention, the first and second subsidiary points are longitudinally offset from each other along an axis extending a length of the prong.

In accordance with another preferred aspect of the precursor of this invention, the leg portion includes a first side edge, and wherein the first and second subsidiary points are located adjacent the first side edge and are longitudinally offset from each other along an axis extending a length of the prong.

In accordance with another preferred aspect of the precursor of this invention, the at least one prong comprises two prongs and wherein the at least one opening comprises two openings, with each of the two prongs being located in respective ones of the at least two openings.

In accordance with another preferred aspect of the precursor of this invention, the clip is formed a metal.

Another aspect of this invention is a combination an acoustic panel having a front surface and a rear surface and an impaling clip configured for mounting the acoustic panel on a support structure. The impaling clip comprises a base, at least one opening, and at least one prong. The base includes an undersurface configured to be disposed on an outer surface of the support structure. The at least one opening is configured for receipt of a fastening member to fixedly secure the base on the support structure with the undersurface in engagement with the outer surface of the support structure. The at least one prong projects outward perpendicularly from the base at a bottom of the at least one opening. The at least one prong comprises a leg portion, a sharp head portion having a free end in the form of sharp main point, and at least one subsidiary point. The at least one subsidiary point is in the form of an undercut barb having an edge extending at an acute angle with respect to a side edge of the leg portion. The sharp main point is configured for penetration of the rear surface of the panel, whereupon the sharp head portion, the at least one subsidiary point and at

least a portion of the leg portion enters and is fixedly held within the material of the panel between the rear surface and the front surface thereof, with the at least one subsidiary point resisting extraction of the prong from within the material of the panel.

In accordance with one preferred aspect of the combination of this invention, the prong comprises first and second subsidiary points, each of the subsidiary points being in the form of an undercut barb having an edge extending at an acute angle with respect to a side edge of the leg portion.

In accordance with another preferred aspect of the combination of this invention, the leg portion includes a first side edge and a second side edge, and wherein the first subsidiary point is located adjacent the first side edge and the second subsidiary point is located adjacent the second side edge.

In accordance with another preferred aspect of the combination of this invention, the first and second subsidiary points are longitudinally offset from each other along an axis extending a length of the prong.

In accordance with another preferred aspect of the combination of this invention, the leg portion includes a first side edge, and wherein the first and second subsidiary points are located adjacent the first side edge and are longitudinally offset from each other along an axis extending a length of the prong.

In accordance with another preferred aspect of the combination of this invention, the at least one prong comprises two prongs and wherein the at least one opening comprises two openings, with each of the two prongs being located in respective ones of the at least two openings.

In accordance with another preferred aspect of the combination of this invention, the clip is formed of metal.

In accordance with another preferred aspect of the combination of this invention, the acoustic panel comprises polyester.

#### DESCRIPTION OF THE DRAWING

The invention will be described in conjunction with the following drawings in which like reference numerals designate like elements and wherein:

FIG. 1 is an isometric view of one exemplary embodiment of an impaling clip constructed in accordance with this invention;

FIG. 2 is an isometric view, partially in section showing the impaling clip of FIG. 1 mounted on a conventional wall stud and supporting a conventional polyester acoustic panel thereon;

FIG. 3 is a front elevation view of the impaling clip of FIG. 1;

FIG. 4 is a side view taken along line 4-4 of FIG. 3;

FIG. 5 is a top view taken along line 5-5 of FIG. 3;

FIG. 6 is an enlarged sectional view taken along line 6-6 of FIG. 2;

FIG. 7 is a front elevation view of a precursor panel to produce a second exemplary embodiment of an impaling clip constructed in accordance with this invention, that precursor panel includes two portions which when bent out of the plane of the precursor panel form two barbed piercing members of the clip;

FIG. 8 is front elevation view of the second exemplary impaling clip produced from the precursor panel of FIG. 7;

FIG. 9 is a front elevation view of another precursor panel to produce a third exemplary embodiment of an impaling clip constructed in accordance with this invention, that precursor

5

panel includes two portions which when bent out of the plane of the precursor panel form two barbed piercing members of the clip; and

FIG. 10 is front elevation view of the third exemplary impaling clip produced from the precursor panel of FIG. 9.

#### DETAILED DESCRIPTION OF THE PREFERRED EMBODIMENTS OF THE INVENTION

Referring now to the various figures of the drawing wherein like reference characters refer to like parts, there is shown in FIG. 1 one exemplary impaling clip 20 constructed in accordance with this invention. The clip 20 and the other impaling clips of this invention are particularly suited for fixedly mounting an acoustic panel 10 that is resistant to impaling (e.g., a polyester acoustic panel) on any type of structural component. In the exemplary embodiment shown in FIG. 6 the clip is shown mounted on a conventional wood wall stud 12. However, that is merely exemplary of various types of structural components on which the impaling clips of this invention can be mounted. Thus, impaling clips constructed in accordance with this invention are suitable for mounting on a metal wall stud, a wood or metal ceiling joist, a concrete wall or ceiling, a gypsum board wall or ceiling, etc.

Impaling clips constructed in accordance with this invention can be used to mount any type of acoustic panel that is resistant to impaling, e.g., having a density of at least approximately 7 lbs/ft<sup>2</sup>. In the exemplary embodiment of FIGS. 2 and 6 a portion of the acoustic panel 10 is shown. The panel can be of any size and of any thickness. One particularly efficient sound deadening acoustic panel is that available from PolySorb Architectural Audio Absorption Solutions under the model designation Polysorb. That acoustic panel comprises polyester and is available in the following sizes: 4 foot×9 foot, 4 foot×10 foot, 5 foot×9 foot, 5 foot×10 foot or any custom size. It has a thickness of 1 inch, with a core density: 6.5>7.0 ironed or 5.5>6.0 non-ironed, and a noise reduction coefficient of 0.80>0.85. As best seen in FIG. 6 the panel 10 includes an inner surface 10A and an outer surface 10B. Those acoustic panels are approximately 1.0 inch thick.

The impaling clip 20 basically comprises an integral unit formed of any suitable material, e.g., steel. In the preferred embodiment it is stamped or die-cut from a relatively thin, e.g., 18 gauge, planar sheet of metal, but can be fabricated in other ways. In any case the clip 20 basically comprises a base portion 22, at least one and preferably a pair of piercing members 24, and at least one mounting hole 26. The base portion 22 is generally planar that includes an undersurface 22A and an outer surface 22B. The base portion can be of any shape and size. In the exemplary embodiment shown it is of square shape, whose sides are approximately 1.5 inches. The at least one mounting hole 26 is approximately 0.25 inch in diameter and is located in the center of the base member and is configured to receive any type of fastener therethrough to mount the clip on a structural component, e.g., wall stud 12, of a building.

As mentioned above the impaling clip 20 preferably includes a pair of piercing members 24. Both of the piercing members are preferably of an identical construction and are particularly suited for readily piercing through a hard-to-impale or pierce acoustic panel 10 from the rear surface 10A thereof. Once the panel has been pierced the tip or head of the piercing member will be located within that panel, with no portion of it extending through the outer surface 10B.

6

Moreover, once the piercing member has impaled the acoustic panel and is located therein it will be resistant to displacement due to its shape.

Each of the piercing members 24 is in the form of a sharp elongated prong which projects outward perpendicularly from the plane of the base member 22 at a respective opening or window 28. Each prong 24 is an elongated member having a longitudinal axis, an elongated leg portion 24A extending along the axis and terminating at a wedge shaped head portion 24B. The leg portion 24A is somewhat triangular in shape tapers downward in width from the point at which it projects outward from the base portion 22 at its associated window 28. The wedge shaped head portion 24B has a free end in the form of a main point 24C. The length of each prong 24 from its point 24C to its juncture at the bottom of the window 28 is approximately 0.8125 inch sufficient for securely mounting a 1.0 inch thick acoustic panel on the stud 12. The main point 24C is very sharp, e.g., its included angle is approximately 15 degrees and the edges of the material making up the point are very sharp. Accordingly, the main point 24C can readily pierce into the hard-to-pierce material making up the acoustic panel 10. The wedge shaped head portion 24B also includes at least one subsidiary point 24D located where the head portion 24B merges with the leg portion 24A and is angled away from a side edge of the leg section from which it projects at an acute angle to form an undercut barb, similar to that of a fish-hook. The barb makes extraction of the wedge shaped head portion 24B from the material making up the acoustic panel 10 difficult. In the exemplary embodiment 20 shown the wedge shaped head portion 24B is of shape somewhat like an arrowhead and includes two subsidiary points in the form of undercut barbs 24D which are located opposite each other. Thus, once the head portion of each prong is in place within the acoustic panel 10 it is resistant to removal or displacement by virtue of the gripping action of its barbs onto the material making up the acoustic panel. The exemplary impaling clip 20 has the following dimensions. The length of the head portion 24B measured along its longitudinal axis from the main point 24C to the subsidiary points 24D is approximately 0.313 inch, with the length of the head portion measured along that axis to the undercut portion forming the barb being approximately 0.296 inch, and with maximum width of the head portion being approximately 0.165 inch. The portion of the leg portion 24A which merges with the window 28 is approximately 0.188 inch.

Use of the impaling clip 20 will now be described with reference to FIGS. 2 and 6. In particular, if it is desired to mount an acoustic panel 10 on vertically extending wall studs 12 all that is required is to fixedly secure a desired number of impaling clips 20 onto the front face 12A of the studs. If the studs are on sixteen inch centers it is preferred to mount the impaling clips 20 on the front face of the studs so that the impaling clips will be separated from one another by a suitable distance given the thickness, size and weight of the acoustic panel to be mounted on those clips. The mounting of the impaling clips on the studs, or any other structural member onto which the acoustic panel is to be mounted, can be accomplished by any suitable fastener. In the exemplary embodiment shown that fastener is a threaded screw 14. In particular, as shown in FIGS. 2 and 6, the clip is mounted on a wood wall stud 12 by means of the screw 14 whose threaded shank is extended through the mounting hole 26 into the stud and with the screw's head 14A is in engagement with the outer surface 22B of the clip's base 22 contiguous with the mounting hole 26.

Once the impaling clips **20** have been fixedly secured to the front face of the studs **12** the prongs **24** of the clips will face outward from those studs. The acoustic panel **10** to be mounted can then be juxtaposed so that its rear surface **10A** faces the pointed or free end **24C** of the prongs **24**. The acoustic panel can then be pushed into engagement with the tips **24C** of the prongs, whereupon the arrowhead-like barbed head **24B** of the prongs will pierce through the rear surface **10A** of the panel **10** and into the interior of the panel and the rear surface **10A** of the panel will engage the front surface **22B** of the base member **22** like shown in FIGS. **2** and **6**. Once that has occurred the barbs **24D** of the prong's head **24B** will engage portions of the material making up the panel **10** to prevent the panel from becoming dislodged.

The impaling clip **20** can be made in various ways. One preferred way is by forming it from a precursor in accordance with one aspect of this invention. To that end, the precursor is in the form of a planar panel that can be stamped or die-cut from a relatively thin, e.g., 18 gauge, planar sheet of metal, e.g., steel, which is sized and shaped to form the base portion **22** of the impaling clip **20**. If desired, the precursor's planar panel can be fabricated in other ways and made of other materials. In any case, the precursor's planar panel is like that shown in FIG. **1**, except that the two prongs **24** are located within the openings or windows **28** in the plane of the panel. Thus, to form the impaling clip **20** from the precursor panel, all that is required is to bend the portions of the panel which will form the prongs **24** out of the plane of the panel so that each such portion is in an orientation perpendicular to the plane of the panel to form the prongs of the impaling clip **20**. The precursor's panel also includes a central opening or hole **26** located between the windows **28** to receive the fastener which mounts the impaling clip onto the structural component, e.g., wall stud.

Turning now to FIG. **7**, there is shown another precursor panel **100** for forming a second exemplary embodiment of an impaling clip **120** (FIG. **8**) constructed in accordance with this invention. The precursor panel is stamped or die-cut from a relatively thin, e.g., 18 gauge planar sheet of metal, e.g., steel, but can be fabricated in other ways and made of other materials. The panel **100** includes two windows **128** into which respective portions **124** extend. A central opening or hole **126** is located between the windows **128**. The panel portions **124** are configured to be bent out of the plane of the panel **100** so that they project perpendicularly to the plane of the panel to form a pair of piercing members or prongs **124** of the impaling clip **120**. The remainder of the panel **100** forms the base portion **122** of the impaling clip **120**. The base portion **122**, being generally planar, includes an under-surface and an outer surface like that of the embodiment of the impaling clip **20**. The base portion **122** can be of any shape and size. In the exemplary embodiment shown it is of square shape, whose sides are approximately 1.5 inches. The hole **126** of the precursor panel forms the mounting hole of the impaling clip **120**.

The impaling clip **120** is configured to be mounted on a structural component, e.g. a wall stud **12**, of a building in the same manner as that described with respect to the impaling clip **20**, e.g., by means of any type of fastener, e.g., a screw **14**, extending through the mounting hole **126** and into the structural component, e.g., stud **12**, to support the acoustic panel **10** thereon.

The impaling clip **120**, like the impaling clip **20**, preferably includes a pair of piercing members **124**, but if desired may include only a single piercing member. As can be seen in FIG. **8**, both of the piercing members **124** are preferably of an identical construction, but are mirror images of each

other. Each piercing member **124** is particularly suited for readily piercing through a hard-to-impale or pierce acoustic panel **10** (like shown in FIG. **2**) from the rear surface **10A** thereof. Once the panel has been pierced the tip or head of the piercing member and its barbs (which will be described shortly) will be located within that panel, with no portion of the piercing member extending through the outer surface **10B**. Moreover, once the piercing member has impaled the acoustic panel and is located therein it will be resistant to displacement due to its shape, as will now be described. In this regard, each of the piercing members **124** is in the form of a sharp elongated prong which projects outward perpendicularly from the plane of the base member **122** at a respective opening or window **128**. Each prong **124** includes an elongated leg portion **124A** and a wedge shaped head portion **124B**. The leg portion **124A** is somewhat triangular in shape tapers downward in width from the point at which it projects outward from the base portion **122** at its associated window **128**. The wedge shaped head portion **124B** has a free end in the form of a main point **124C**. The length of each prong **124** from its point **124C** to its juncture at the bottom of the window **128** is slightly shorter, approximately 0.75 inch, than length of the prongs **24**, but the maximum width of the leg portion **124A** where it merges with the window **128** being approximately the same as the maximum width of the leg portion **24A**. The main point **124C** is sharp, e.g., its included angle is approximately 25 degrees and the edges of the material making up the main point are very sharp. Accordingly, the main point **124C** can readily pierce into the hard-to-pierce material making up the acoustic panel **10**.

The wedge shaped head portion **124B** also includes two subsidiary points **124D** and **124E**. The point **124D** is located where the head portion **124B** merges with the outside edge **124F** of the leg portion **124A** and is angled away from that outside edge at an acute angle, e.g., approximately 27 degrees, to form an undercut barb **124D**. The barb **124D** is similar to that of a fish-hook. In a similar manner the point **124E** is located where the head portion **124B** merges with the inside edge **124G** of leg portion **124A** and is angled away from that inside edge at an acute angle, e.g., approximately 27 degrees, to form an undercut barb **124E**, also similar to that of a fish-hook. The barbs **124D** and **124E** are longitudinally off-set from each other along the longitudinal axis of the prong **124**, e.g., the points **124D** and **124E** are off-set longitudinally by approximately 0.47 inch, with the point **124D** being offset longitudinally along that axis from the main point **124C** by approximately 0.33 inch.

As will be appreciated by those skilled in the art, with the prongs **124** constructed like that described above, once they are in place within the acoustic panel **10** the clip **120** is resistant to removal by virtue of the gripping action of the under-cut barbs **124D** and **124E**, with the off-set feature of those under-cut barbs providing the impaling clip **120** with more holding power than the impaling clip **20**.

FIG. **9** shows a precursor panel **200** for a third exemplary embodiment of an impaling clip **220** (FIG. **10**) constructed in accordance with this invention. The impaling clip **220** is designed for use with thicker acoustic panels that are resistant to impaling, e.g., polyester acoustic panels that are 2 inches thick. The precursor panel **200** is stamped or die-cut from a relatively thin, e.g., 18 gauge planar sheet of metal, e.g., steel, but can be fabricated in other ways and made of other materials. The panel **200** includes two windows **228** into which respective portions **224** extend. Two central openings or holes **226** are located between the windows **228** adjacent the upper and lower ends thereof. The panel portions **224** are configured to be bent out of the plane of the

panel **200** so that they project perpendicularly to the plane of the panel to form a pair of piercing members or prongs **224** of the impaling clip **220**. The remainder of the panel **200** forms the base portion **222** of the impaling clip **220**. The base portion **222**, being generally planar, includes an under-  
5 surface and an outer surface like that of the embodiment of the impaling clip **20**. The base portion **222** can be of any shape and size. In the exemplary embodiment shown it is of square shape, whose sides are approximately 2.0 inches. The hole **226** of the precursor panel forms the mounting hole of the impaling clip **220**.  
10

The impaling clip **220** is configured to be mounted on a structural component, e.g. a wall stud **12**, of a building in the same manner as that described with respect to the impaling clips **20** and **120**, e.g., by means of any type of fastener, e.g.,  
15 a screw **14**, extending through the mounting hole **226** and into the structural component **12** to support the acoustic panel **10** thereon.

Moreover, the impaling clip **220**, like the impaling clips **20** and **120**, preferably includes a pair of piercing members **224**, but if desired may include only a single piercing member. As can be seen in FIG. **10**, both of the piercing members **224** are preferably of an identical construction, but are mirror images of each other. Each piercing member **224** is particularly suited for readily piercing through a thick  
20 hard-to-impale or pierce acoustic panel from the rear surface thereof in a similar manner to the manner the piercing members **24** and **124** of the impaling clips **20** and **120**, respectively, are used. Thus, once the thick acoustic panel has been pierced the tip or head of each piercing member **224** and its barbs (which will be described shortly) will be located within that panel, with no portion of it extending through the outer surface. Moreover, once each piercing member has impaled the acoustic panel and is located therein it will be resistant to displacement due to its shape,  
25 as will now be described. In this regard, each of the piercing members **224** is in the form of a sharp elongated prong which projects outward perpendicularly from the plane of the base member **222** at a respective opening or window **228**. Each prong **224** is an elongated member having a longitudinal axis and includes an elongated leg portion **224A** and a wedge shaped head portion **224B**. The leg portion **224A** is somewhat triangular in shape tapers downward in width from the point at which it projects outward from the base portion **222** at its associated window **228**. The wedge shaped head portion **224B** has a free end in the form of a main point **224C**. The length of the prong **224** from its point **224C** to its juncture at the bottom of the window **228** is approximately 1.375 inches. The main point **224C** is sharp,  
30 e.g., its included angle is approximately 25 degrees and the edges of the material making up the point are very sharp. Accordingly, the main point **224C** can readily pierce into the hard-to-pierce material making up the thick acoustic panel. The prong **224** also includes two subsidiary points **224D** and **224E**. The point **224D** is located where the head portion **224B** merges with the outside edge **224F** of the leg portion **124A** and is angled away from that outside edge at an acute angle, e.g., approximately 50 degrees, to form an undercut barb **224D**. The barb **224D** is similar to that of a fish-hook. The point **224E** is a wedge shaped projection projecting outward from the outside edge **224F** of the leg portion **224A** located between the head portion **224B** and the bottom of the window **228**. The wedge shaped projection **224E** includes a bottom edge which extends at an acute angle, e.g., approximately 50 degrees, to the outside edge **224F** to form an undercut barb **224E**. The barb **242E** is similar to that of a fish-hook. The two undercut barbs **224D** and **224E** of each  
35  
40  
45  
50  
55  
60  
65

prong **224** are longitudinally off-set from each other along the longitudinal axis of the prong by approximately 0.58 inch, with the width of the leg portion **224A** measured between the inside and outside edges thereof between the points **224D** and **224E** being approximately 0.12 inch and with the maximum width of the prong **224** measured where it merges with the window **228** being 0.19 inch. The longitudinally off-set barbs **224D** and **224E** make extraction of each prong from the thicker material of the acoustic panel very difficult. Thus, once the prongs **224** are in place within the thick acoustic panel the prongs are resistant to removal by virtue of the gripping action of their barbs. This feature provides the impaling clip **220** with sufficient holding power to adequately support a thick, hard-to-pierce, acoustic panel on a structural support, e.g., stud **12**.

As should be appreciated by those skilled in the art the above described embodiments of the impaling hook all make use of at least one prong, with that one prong including two undercut barbs, each of which is located at a different position. By so doing each barb of the prong will "grab" the fibers of the acoustic panel at a different position to provide enhanced gripping power. Moreover, those embodiments making use of longitudinally off-set barbs offer the possibility of the off-set barbs grabbing more fibers at different locations in the core of the material making up the acoustic panel. Put another way, with two barbs at one longitudinal position, but laterally off-set, like that of the impaling clip **20**, as the prong's pointed head penetrates the acoustic panel, the fibers of the acoustic panel at that point of penetration will be separated by the two laterally off-set barbs since they will be at the same longitudinal position on the longitudinal axis of the prong, whereas the longitudinally off-set barbs of the impaling clips **120** and **220** will grab the fibers of the acoustic panel at different levels within the panel to provide a better grab of those fibers and hence better securement of the panel to the impaling clip.

Notwithstanding the forgoing, it must be pointed out at this juncture that while the exemplary embodiments of the invention as described above make use of a pair of barbed prongs, each of which includes two barbs that is merely exemplary. Thus, any impaling clip constructed in accordance with this invention can include any number of barbed prongs, with the number of barbs thereon being selected for the type panel to be supported by the impaling clip and the thickness of that panel. Moreover, the shape, cross-section and size of the prongs can be different than that shown and described above, so long as each prong is barbed to be resistant to removal from within the interior of the panel once it pierces into the interior of the panel. The length of the prongs will depend upon the thickness of the acoustic panel to be mounted. Thus, for mounting an acoustic panel which is approximately 1 inch in thickness, the prongs should be less than 1 inch so that the pointed free end does not extend out through the outer surface **10B** of the panel **10**. It has been found that prongs of approximately at least 0.7 inch in length are suitable for mounting 1 inch thick polyester acoustic panels and prongs of approximately at least 1.375 inch in length are suitable for mounting 2 inch thick polyester acoustic panels. The maximum width of the either the head portion or any of its subsidiary points will also depend upon the thickness and weight and composition of the panel to be mounted thereby. Thus, for example, the 0.7 inch length prong **24** described above would make use of a head portion having a width of approximately 0.15 inch. However, those values can be changed, if desired.

## 11

Without further elaboration the foregoing will so fully illustrate my invention that others may, by applying current or future knowledge, adopt the same for use under various conditions of service.

I claim:

1. A clip for mounting a panel on a support structure, the panel being formed of a material having a rear surface and a front surface, said clip comprising:

a base including an undersurface configured to be disposed on an outer surface of the support structure, said base including at least one window;

at least one opening for receipt of a fastening member to fixedly secure said base on the support structure with said undersurface in engagement with the outer surface of the support structure;

at least one prong projecting outward perpendicularly from said base at a portion of said at least one window, said at least one prong being a planar member comprising a leg portion, a sharp head portion having a free end in a form of a sharp main point, and a first subsidiary point, and a second subsidiary point, said leg portion comprising a first side edge having a length and a second side edge having a length, said first and second side edges tapering towards each other from a base point at which said leg portion projects outward from said portion of said at least one window to a point adjacent said sharp head portion, said first subsidiary point projecting outward from said first side edge and being spaced from said main point by a first linear edge portion, said second subsidiary point projecting outward from said second side edge and being spaced from said main point by a second linear edge portion, said second linear edge portion being longer than said first linear edge portion, whereupon said first and second subsidiary points are longitudinally offset from each other along an axis extending a length of said prong, said first side edge being linear along said length of said first side edge from said first subsidiary point to said base point, said second side edge being linear along said length of said second side edge from said second subsidiary point to said base point, said first subsidiary point being an undercut barb having an edge extending at an acute angle with respect to said first side edge of said leg portion, said second subsidiary point being an undercut barb extending at an acute angle with respect to said second side edge of said leg portion, said sharp main point being configured for penetration of the rear surface of the panel, whereupon said sharp head portion, said first and second subsidiary points and at least a portion of said leg portion enters and is fixedly held within the material of the panel between the rear surface and the front surface thereof, with said first and second subsidiary points resisting extraction of said prong from within the material of the panel.

2. The clip of claim 1, wherein said at least one prong comprises two prongs and wherein said at least one window comprises two windows, with each of said two prongs being located in respective ones of said at least two windows.

3. The clip of claim 1, wherein said clip is formed of metal.

4. A precursor for a clip for mounting a panel on a support structure, the panel being formed of a material having a rear surface and a front surface, said precursor comprising:

a generally planar sheet lying in a plane and having at least one window therein;

an opening or hole extending through said sheet and configured for receipt of a fastener therethrough; and

## 12

a planar prong portion located within said at least one window and within said plane, said planar prong portion being connected to said at least one window at a portion of said at least one window and comprising a leg portion, a sharp head portion having a free end in a form of a sharp main point, a first subsidiary point, and a second subsidiary point, said leg portion comprising a first side edge having a length and a second side edge having a length, said first and second side edges tapering towards each other from a base point at which said leg portion is connected to said portion of said at least one window to a point adjacent said sharp head portion, said first subsidiary point projecting outward from said first side edge and being spaced from said main point by a first linear edge portion, said second subsidiary point projecting outward from said second side edge and being spaced from said main point by a second linear edge portion, said second linear edge portion being longer than said first linear edge portion, whereupon said first and second subsidiary points are longitudinally offset from each other along an axis extending a length of said prong, said first side edge being linear along said length of said first side edge from said first subsidiary point to said base point, said second side edge being linear along said length of said second side edge from said second subsidiary point to said base point, said first subsidiary point being an undercut barb having an edge extending at an acute angle with respect to said first side edge of said leg portion, said second subsidiary point being an undercut barb extending at an acute angle with respect to said second side edge of said leg portion, said planar prong being configured to be bent out of said plane to an orientation perpendicular to said plane.

5. The precursor for a clip of claim 4, wherein said at least one prong comprises two prongs and wherein said at least one window comprises two windows, with each of said two prongs being located in respective ones of said two windows.

6. The precursor for a clip of claim 4, wherein said clip is formed of metal.

7. In combination an acoustic panel having a front surface and a rear surface and an impaling clip configured for mounting the acoustic panel on a support structure, said impaling clip comprising:

a base including an undersurface configured to be disposed on an outer surface of the support structure, said base including at least one window;

at least one opening for receipt of a fastening member to fixedly secure said base on the support structure with said undersurface in engagement with the outer surface of the support structure;

at least one prong projecting outward perpendicularly from said base at a portion of said at least one window, said at least one prong being a planar member comprising a leg portion, a sharp head portion having a free end in a form of a sharp main point, and a first subsidiary point, and a second subsidiary point, said leg portion comprising a first side edge having a length and a second side edge having a length, said first and second side edges tapering towards each other from a base point at which said leg portion projects outward from said portion of said at least one window to a point adjacent said sharp head portion, said first subsidiary point projecting outward from said first side edge and being spaced from said main point by a first linear edge portion, said second subsidiary point projecting out-

13

ward from said second side edge and being spaced from  
said main point by a second linear edge portion, said  
second linear edge portion being longer than said first  
linear edge portion, whereupon said first and second  
subsidiary points are longitudinally offset from each  
other along an axis extending a length of said prong,  
said first side edge being linear along said length of said  
first side edge from said first subsidiary point to said  
base point, said second side edge being linear along  
said length of said second side edge from said second  
subsidiary point to said base point, said first subsidiary  
point being an undercut barb having an edge extending  
at an acute angle with respect to said first side edge of  
said leg portion, said second subsidiary point being an  
undercut barb extending at an acute angle with respect  
to said second side edge of said leg portion, said sharp  
main point being configured for penetration of the rear

14

surface of the panel, whereupon said sharp head por-  
tion, said first and second subsidiary points and at least  
a portion of said leg portion enters and is fixedly held  
within the material of the panel between the rear  
surface and the front surface thereof, with said first and  
second subsidiary point resisting extraction of said  
prong from within the material of the panel.

8. The combination of claim 7, wherein said at least one  
prong comprises two prongs and wherein said at least one  
window comprises two windows, with each of said two  
prongs being located in respective ones of said two win-  
dows.

9. The combination of claim 7, wherein said clip is formed  
of metal.

10. The combination of claim 7, wherein said acoustic  
panel comprises polyester.

\* \* \* \* \*